
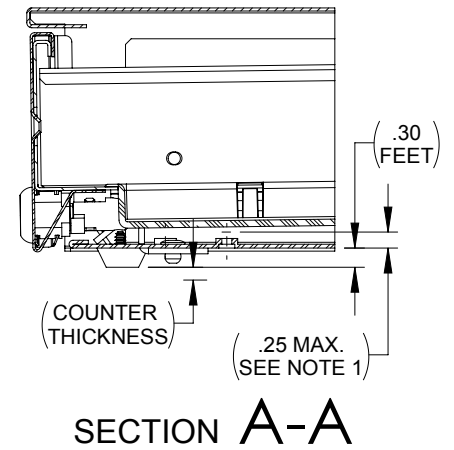
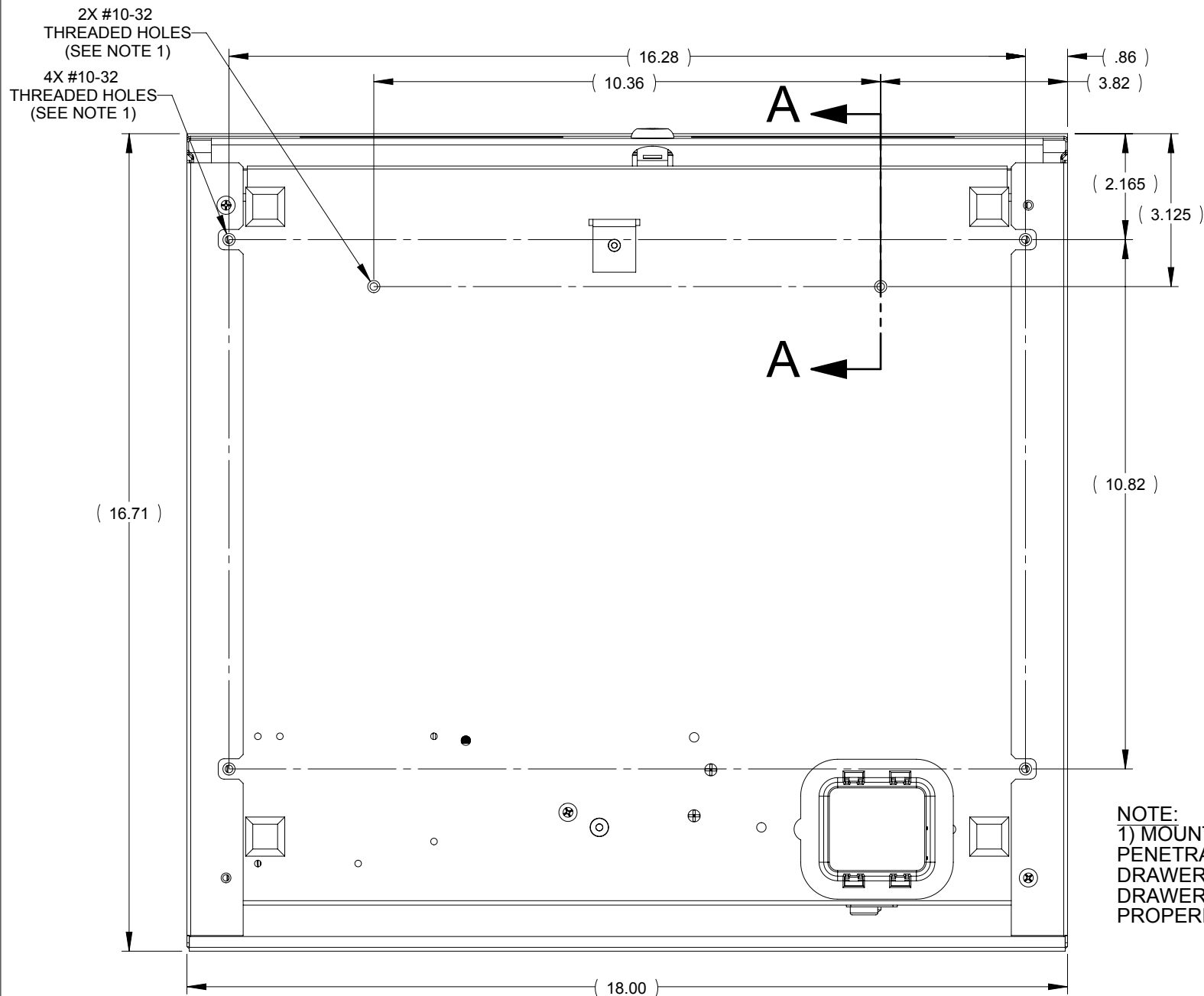



APG®Cash Drawer Series 4000
 (ALL DIMENSIONS ARE FOR REFERENCE ONLY)

 APG CASH DRAWER®	APG®Cash Drawer SERIES 4000 , BASIC FRONT DIMENSIONS, 1816		
	<i>For more information call (763) 571-5000</i> www.cashdrawer.com		
<small>© 2018</small> DRAWING NO: C-000-080	SHEET 1 of 2	DATE: 8/20/2018	REV A



NOTE:
1) MOUNTING SCREWS MUST NOT
PENETRATE THE BOTTOM OF THE CASH
DRAWER MORE THAN 0.25" OR THE
DRAWER WILL FAIL TO OPERATE
PROPERLY.

APG Cash Drawer Series 4000
BOTTOM VIEW OF CASH DRAWER
(ALL DIMENSIONS ARE FOR REFERENCE ONLY)

 APG CASH DRAWER®	APG® Cash Drawer SERIES 4000 , BASIC FRONT DIMENSIONS, 1816		REV A
	For more information call (763) 571-5000 www.cashdrawer.com		
© 2018 DRAWING NO: C-000-080	SHEET 2 of 2	DATE: 8/20/18	