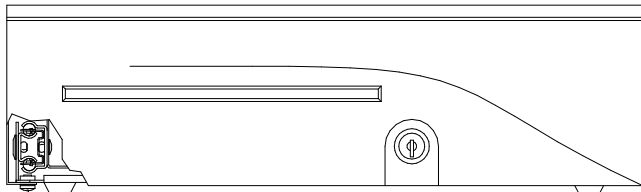


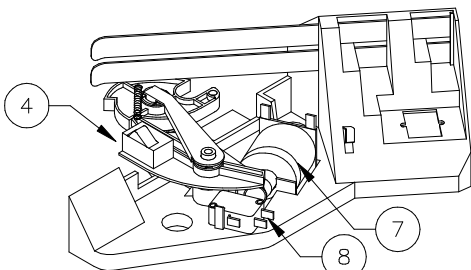
Top View of Cash Drawer without Case & Till

NOTES:
 *DENOTES COMPONENT NOT SHOWN.
 **TO ORDER ACCESSORIES INDIVIDUALLY BOXED, CHANGE THE M TO PK & ADD BX AT THE END OF THE PART NUMBER.

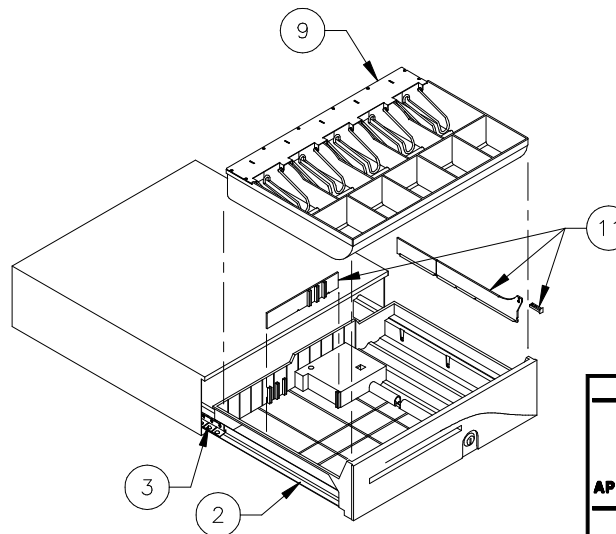
ITEM	PART #	DESCRIPTION
1	PK-402	Base to case attachment screws.
2	PK-4A-BL	(2) Drawer Slides & (12) attachment rivets
3	PK-4BB	Ball Bearing Kit: (2) ball bearing retainers, (16) ball bearings.
4	PK-407	Latch Assembly; latch arm, latch wheel, latch spring, tie clip, status switch and (2) wand bar springs.
5	PK-408LS-Axx	Tumbler Assembly; lock, (2) keys & lock pin. (xx) denotes key number A1-A10.
6	PK-408K-Axx	Keys; set of (2) keys (xx) denotes key number, A1-A10.
7	PK-411R10SA	Solenoid Assembly; 12V, 10 ohm solenoid, plunger, o-ring.
7A	PK-411R31SA	Solenoid Assembly; 24V, 31 ohm solenoid, plunger, o-ring.
7B	PK-411-12-24SA	Solenoid Assembly; 12/24V solenoid, plunger, o-ring.
8	PK-412	Drawer Sensing Switch
9	**PK-xxx	Till Assembly (see Heavy Duty Parts List)
10	PK-17-5023	Base Pad Kit; (4) 5/16" H.; adhesive rubber feet.
11	PKS100DIV	Divider Kit (white); includes (2) dividers & media slot clip.
11A	PKS100DIVBL	Divider Kit (black); includes (2) dividers & media slot clip.
*	(Part # varies with model #)	Cable Harness/interface contact APG for this information, Drawer model# required.
*	PK-M19ULR	Power Supply for use with APG's serial & parallel interfaces.
*	-	Boxes & packaging foam (See parts price list).



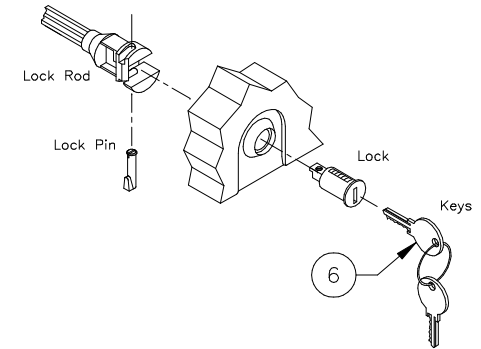
Front View



Isometric View of Latch components



Isometric View of Till components



Isometric View of Lock components (Items #5 & 6)

APG® Cash Drawer
 S100 Cash Drawer
 Parts Drawing

APG CASH DRAWER®

For more information call
 (763) 571-5000 fax (763) 571-5771
 www.apgcd.com

© COPYRIGHT 2018

DRAWING NO.: PKD-0003

7/26/18

REV. D