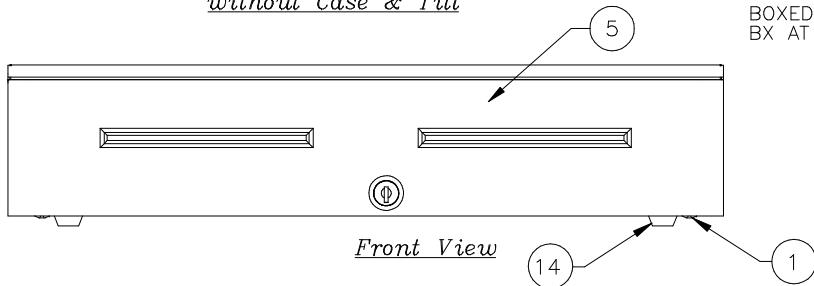
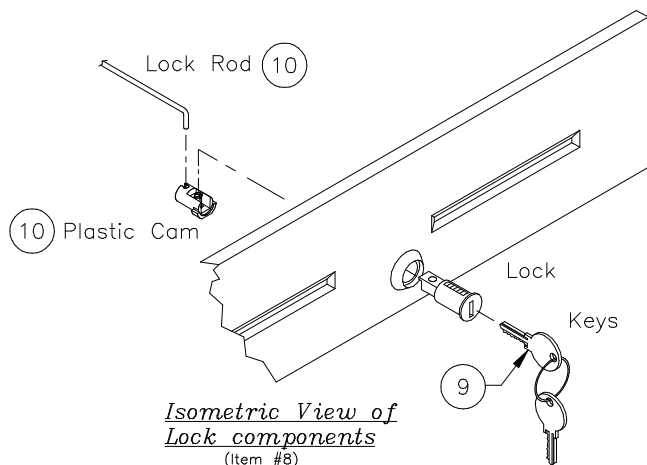


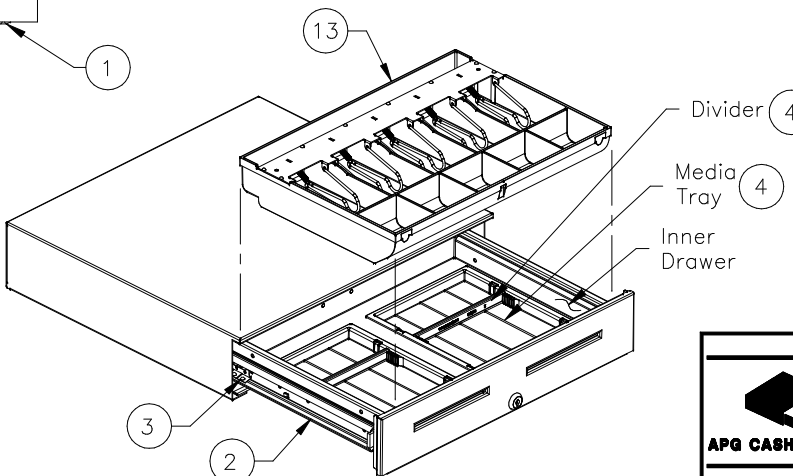
*Top View of Cash Drawer
without Case & Till*



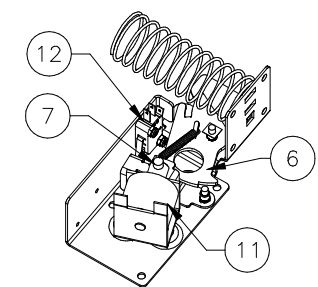
Front View



*Isometric View of
Lock components
(Item #8)*



Isometric View of Open Drawer




*Pictorial View of
Latch components*

ITEM	PART #	DESCRIPTION
1	PK-2B-2	Base to case attachment screws.
2	PK-4A-BL	(2) Drawer Slides & (12) attachment rivets
3	PK-4BB	Ball Bearing Kit: (2) ball bearing retainers, (16) ball bearings.
4	PK-804-2	Media Tray Kit; (1) Tray & (1) Divider (Two kits used per unit.)
5	PK-805xxx	Drawer Front.
6	PK-807	Latch Assembly; latch wheel, latch arm, retaining clips, spring.
7	PK-10	Latch pin & retainer
8	PK-808LS-Axx	Tumbler Assembly; lock, plastic cam & (2) keys (xx) denotes lock number, A1-A10.
9	PK-8K-Axx	Keys; set of (2) keys (xx) denotes key number, A1-A10.
10	PK-808B	Lock Rod Assembly; lock rod & plastic cam.
11	PK-811R10SA	Solenoid Assembly; 12V, 10 ohm solenoid, (2) screws, o-ring & plunger.
11A	PK-811R31SA	Solenoid Assembly; 24V, 31 ohm solenoid, (2) screws, o-ring & plunger.
11B	PK-811-12-24SA	Solenoid Assembly; 12/24V solenoid, (2) screws, o-ring & plunger.
12	PK-812	Drawer Sensing Switch & (2) nuts.
13	**PK-15TA-03-Bx	Coin Roll Storage Till Assembly (5x5)
13A*	PK-xxx	Till Assembly (see Heavy Duty Parts List).
14	PK-17-5023	Base Pad Kit; (4) 5/16"; adhesive rubber feet.
14A	PK-17-1007	Base Pad Kit; (4) 5/8"; screw on rubber feet & screws.
*	(Part # varies with model #)	Cable Harness/interface contact APG for this information, Drawer model# required.
*	PK-M19ULR	Power Supply for use in APG's serial or parallel interfaced Cash Drawers.
*	-	Boxes & packaging foam (See parts price list).

NOTES:

*DENOTES COMPONENT NOT SHOWN.

**TO ORDER ACCESSORIES INDIVIDUALLY BOXED, CHANGE THE M TO PK & ADD BX AT THE END OF THE PART NUMBER.



APG CASH DRAWER®

APG® Cash Drawer
S4000 Cash Drawer
Parts Drawing

For more information call
(763) 571-5000 fax (763) 571-5771
www.apgcd.com

© COPYRIGHT 2018

DRAWING NO.: PKD-0015

7/26/18

REV. B