



Standard Accessories Guide

Accessories to Complement your Standard Cash Drawer

Standard Solution

APG accessories include tills, till covers, weighable coin cups and under counter mounting brackets. Additional tills help reduce the time it takes to make shift changes and provide integrity for each clerk by placing them responsible for their own till. Till covers offer increased security when the till is transported from the POS workstation. Under counter mounting brackets provide a secure mounting system and free up counter space.

Constructed of the highest quality materials, APG accessories are built to withstand the toughest environments.



Versatile Tills

Tills for virtually any currency with adjustable bill widths to accommodate bill/note widths.



Weighable Coin Cups

Weighable coin cups makes coin counting easy and reduces time to balance drawers.



Under Counter Mounting Brackets

Brackets for mounting cash drawers under the counter.



Till Covers


Till covers for secure transferring of the till.

Standard Accessory Matrix



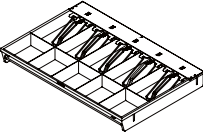
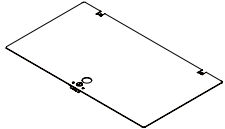
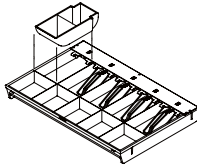
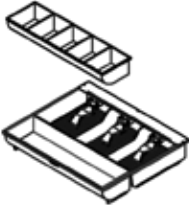

Additional configurations and options are available.

Contact APG Cash Drawer for more information at:

 +1 (763) 571-5000

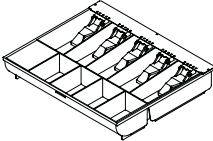

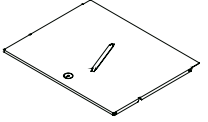
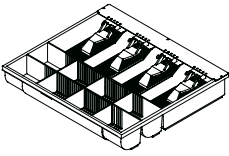
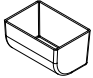
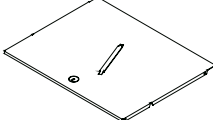
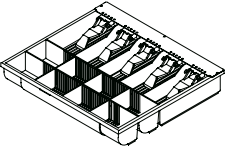
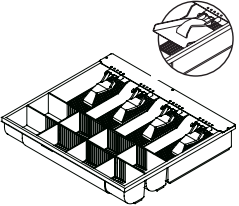
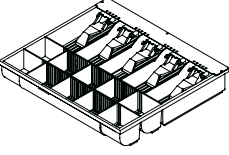
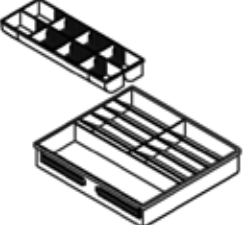
 sales@us.cashdrawer.com

FOR VASARIO, 18.8" Model 1915

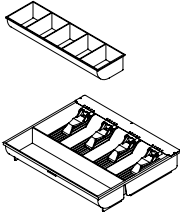
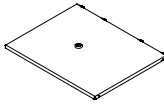
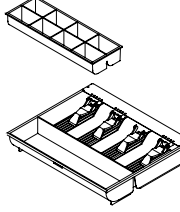
Tills	Features + Dimensions (width x depth x height)	Weighable Coin Cups (tare weight)	Till Covers + Lids (width x height)
<p>VPK-15B-3-BX</p> <p>Standard till for 1915 cash drawers</p> 	<p>Bill/Coin = 5 x 5 Fixed Bill/Coin Areas Wire Bill Hold Downs 16.0 x 11.0 x 2.2 inches 407 x 278 x 55 mm</p>	<p>N/A</p>	<p>VPK-14B-5-BX 15.4 x 8.8 inches 391 x 224 mm</p> 
<p>VPK-15B-3CC-BX</p> 	<p>Bill/Coin = 4 x 6+ Fixed Bill/Coin Areas Wire Bill Hold Downs 16.0 x 11.0 x 2.2 inches 407 x 278 x 55 mm</p>		
<p>VPK-15B-9-BX</p> 	<p>Bill/Coin = 5 x 6 Fixed Bill/Coin Areas Plastic Bill Hold Downs 16.0 x 10.95 x 2.15 inches 406.4 x 278.13 x 54.6 mm</p>		
			<p>VPK-14B-11-BX For VPK-15B-9-BX ONLY</p> 

FOR VASARIO, 16"


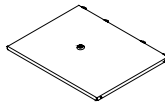
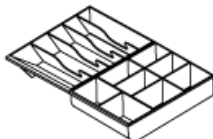
Model 1616, 1618

Tills	Features + Dimensions <i>(width x depth x height)</i>	Weighable Coin Cups <i>(tare weight)</i>	Till Covers + Lids <i>(width x height)</i>
VPK-15B-2A-BX Standard till for 1616 or 1618 cash drawers	 <p>Bill/Coin Count = 5 x 5 Fixed Bill/Coin Areas Plastic Bill Hold Downs 14.2 x 12.05 x 2.35 inches 361 x 307 x 60 mm</p>	VPK-15J-05-BX Coin Cups  33.5 grams	VPK-14B-4-BX 14.2 x 10.9 inches 361 x 277 mm 
VPK-15B-5-BX	 <p>Bill/Coin = 4 x 8 Adjustable Bill/Coin Widths 14.2 x 12.65 x 2.4 inches 361 x 321 x 61 mm</p>	VPK-15J-01-BX Coin Cups  33.5 grams	VPK-14B-6-BX 14.2 x 11.5 inches 361 x 292 mm 
VPK-15B-10-BX	 <p>Bill/Coin = 5 x 8 Adjustable Bill/Coin Widths 14.2 x 12.65 x 2.4 inches 361 x 321 x 61 mm</p>		
VMPK-15B-5-BX	 <p>Bill/Coin = 8 x 8 Dual Currency Style Adjustable Coin Widths Euro Ready 14.2 x 12.65 x 2.4 inches 361 x 321 x 61 mm</p>		
VPK-15B-12-BX	 <p>Bill/Coin = 5 x 10 Adjustable Bill/Coin Widths 14.2 x 12.65 x 2.4 inches 361 x 321 x 61 mm</p>	N/A	
VPK-15B-13-BX	 <p>Bill/Coin = 8 x 8 Fixed Bill/Removable Coin Tray with Adjustable widths 14.2 x 12.65 x 2.4 inches 361 x 321 x 61 mm</p>		

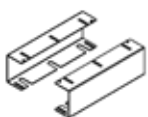
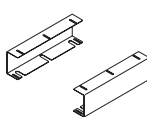
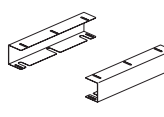
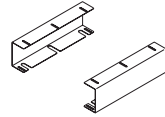
FOR VASARIO, 14" **Model 1416**

Tills	Features + Dimensions (width x depth x height)	Weighable Coin Cups (tare weight)	Till Covers + Lids (width x height)
VPK-15B-1A-BX Standard till for 1416 cash drawers 	Bill/Coin = 4 x 5 Adjustable Bill Widths Removable Coin Tray 12.7 x 11.7 x 2.2 inches 321 x 297 x 56 mm	N/A	VPK-14B-3A-BX 12.7 x 10.4 inches 321 x 265 mm 
VPK-15B-4A-BX 	Bill/Coin = 4 x 8 Adjustable Bill Widths Removable Coin Tray 12.7 x 11.7 x 2.2 inches 321 x 297 x 56 mm		

FOR VASARIO, 13" **Model 1313**

Tills	Features + Dimensions (width x depth x height)	Weighable Coin Cups (tare weight)	Till Covers + Lids (width x height)
VPK-15B-27-BX 	Bill/Coin = 4 x 4 Fixed Bill/Coin Areas Plastic Bill Hold Downs 12 x 9.5 x 2.2 inches 305 x 241 x 56 mm	N/A	VPK-14B-27-BX <i>For VPK-15B-27-BX ONLY</i> 12 x 7.87 inches 305 x 200 mm 
VPK-15B-26-BX 	Bill/Coin = 5 x 8 Adjustable Bill Widths Removable Coin Tray 12 x 9.5 x 2.2 inches 305 x 241 x 56 mm		

UNDER COUNTER MOUNTING BRACKET KITS **MODEL 1313, 1416, 1616, 1915**

 VPK-27B-13-BX <i>For 1313 ONLY</i> (width x depth x height) 2.50 x 13 x 4 inches 63.5 x 330.2 x 101.6 mm	 VPK-27B-16-BX <i>For 1416 and 1616 ONLY</i> (width x depth x height) 2.44 x 16 x 4.3 inches 62 x 457.2 x 108.6 mm	 VPK-27B-18-BX <i>For 1618 ONLY</i> (width x depth x height) 2.44 x 18 x 4.3 inches 62 x 457.2 x 108.6 mm	 VPK-27B-15-BX <i>For 1915 ONLY</i> (width x depth x height) 2.44 x 15 x 4.3 inches 62 x 381 x 108.6 mm
--	---	--	--

Contact Us



APG Cash Drawer, LLC
5250 Industrial Blvd NE
Minneapolis, MN 55421



+1 (763) 571-5000



sales@us.cashdrawer.com